

# MODEL NO. : LSD-6725 V1.3

## □ SPECIFICATION □

◆ DISPLAY SCREEN	SIZE	5.7 Inch
	ACTIVE AREA	115.2(W) x 86.4 (H)mm
	ELEMENT	COLOR TFT LCD 16.7M(24Bit)
	RESOLUTION	640(W) x RGB x 480
	DOT PITCH	0.06 (W) x 0.18 (H)mm
◆ VIDEO INPUT	NTSC and PAL System	
NTSC	$f_H$ : 15.75 Khz	$f_V$ : 60 Hz
	$f_C$ : 3.58 MHz	
	PAL	$f_H$ : 15.625 Khz
		$f_V$ : 50 Hz
		$f_C$ : 4.43 MHz
◆ SDI FORMAT SUPPORT	480i, 525/29.97 NTSC, 625/25 PAL	
	720P50, ,720P60,	
	1080i50,1080i5994, 1080i60	
◆ INPUT CONNECTOR	Video In x2 RCA , Video Out x1 RCA	
	Audio In x1 RCA, Audio Out x1 RCA	
	SDI In x 1 BNC   SDI Out x 2 BNC	
◆ OPTICAL RISE TIME/FALL TIME	Tr=15 msec,   Tf=35 msec	
◆ BACKLIGHT	LED (WHITE)	
◆ POWER CONSUMPTION	DC 12V 400mA, 5.8W	
	DC 24V 200mA, 5.8W.	
◆ OPERATING TEMPERATURE	-10°C ~ 60°C	
◆ STORAGE TEMPERATURE	-20°C ~ 70°C	
◆ BRIGHTNESS	450 cd/m <sup>2</sup>	
◆ CONTRAST	350 : 1	
◆ VIEWING ANGLE	Vertical ± 40° , Horizontal : ± 60°	
◆ LCD SCREEN	124.7 x 100 x 10.8 (mm)	
◆ OVERALL DIMENSION	231.12( W) x 164.0(H) x 100.86(D)	
◆ WEIGHT	2500 ± 100 g	

## □ FEATURES □

- ◆ High Definition SDI Input
- ◆ LED Back Light , Low Power Consumption
- ◆ DC/DC DC/AC Video Decoder All In One
- ◆ NTSC/PAL Video Input Auto-Switch
- ◆ Up/Down , Left/Right, Image Reverse Function
- ◆ 12V ~ 24V Wide Operating Voltage
- ◆ TALLY Indicator

JU

Specification subject to change without notice

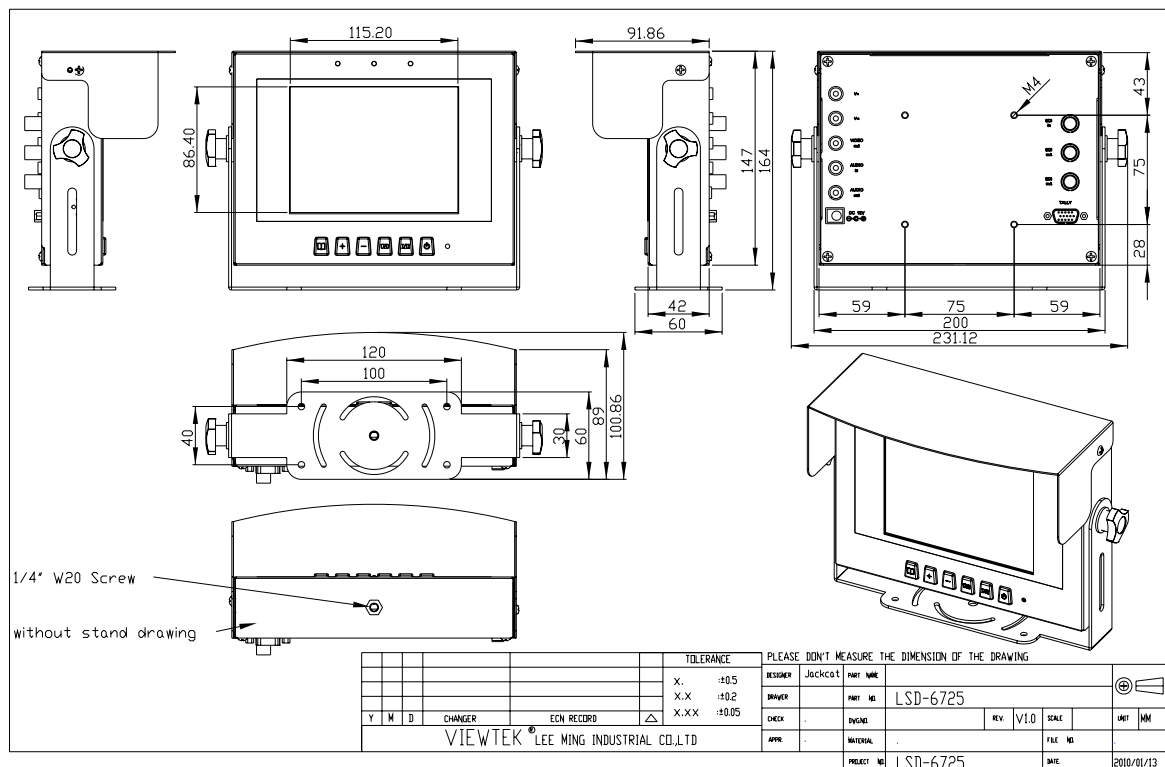
## □ APPLICATIONS □

- ◆ Security
- ◆ Broadcasting
- ◆ Video Game
- ◆ Door Phone
- ◆ Video Phone
- ◆ Portable TV
- ◆ Center Control Room
- ◆ Instrument Display
- ◆ High Performance Display

## □ TALLY LED CONTROL □

<b>GREEN</b>	<b>RED</b>	<b>YELLOW</b>	<b>GND</b>
<b>PIN 1</b>	<b>PIN 2</b>	<b>PIN 3</b>	<b>PIN 4,5</b>

## □ MECHANICAL DRAWING □



JU

Specification subject to change without notice

▭ Record of Revision ▭

Version and Date	Page	Old Description	New Description	Remark
V.1.2 ,0113-2010	3	LSD-6725 New model	LSD-6725 New Model	
V.1.3 ,1208-2010	3		Add SDI Support : 1080i50 , 1080i5994	<b>08.Dec.2010</b>