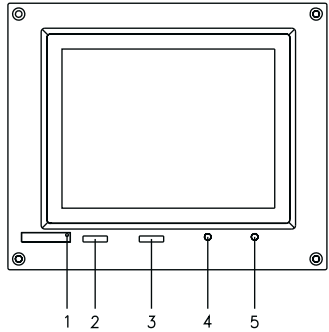


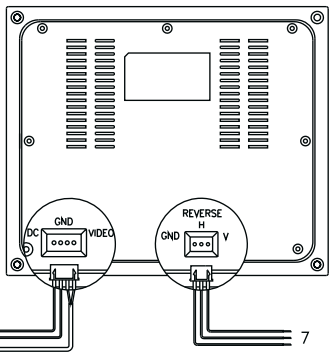
CM-5711A1

Color TFT LCD Monitor

FUNCTION



1. POWER INDICATOR
2. BRIGHTNESS
3. COLOR
4. REVERSED IMAGE
5. POWER ON/OFF

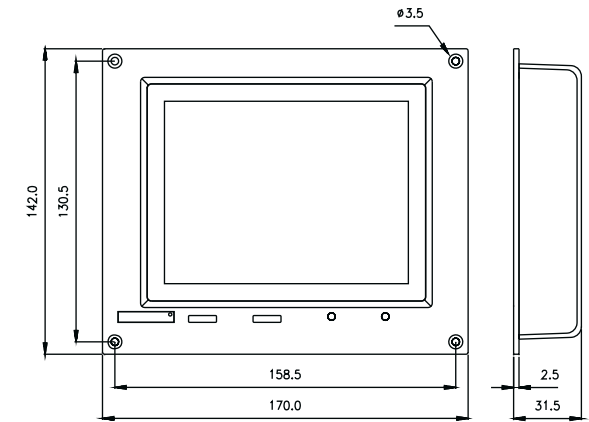


6. INPUTS OF POWER AND SIGNAL
 red wire : DC input
 black wire : ground
 white wire : video signal input
7. EXTERNAL CONTROL OF REVERSE IMAGE
 * Image is reversed in horizontal when blue wire connects to black wire (GND).
 * Image is reversed in vertical when violet wire connects to black wire (GND).

SPECIFICATIONS

DISPLAY	5.7" COLOR TFT LCD												
RESOLUTION	640 (H) x RGB x 480(V)												
ACTIVE AREA	115.2(H) x 86.4(V)												
DOT PITCH	0.06(H) x 0.18(V)												
BACK LIGHT	LED												
INPUT SIGNAL	NTSC & PAL (auto-switch) composite video signal 1 Vp-p / 75 ohm												
	<table border="0"> <tr> <td></td> <td>NTSC</td> <td>PAL</td> </tr> <tr> <td>f_H</td> <td>15.75 KHz</td> <td>15.625 KHz</td> </tr> <tr> <td>f_V</td> <td>60 Hz</td> <td>50 Hz</td> </tr> <tr> <td>f_C</td> <td>3.58 MHz</td> <td>4.43 MHz</td> </tr> </table>		NTSC	PAL	f_H	15.75 KHz	15.625 KHz	f_V	60 Hz	50 Hz	f_C	3.58 MHz	4.43 MHz
	NTSC	PAL											
f_H	15.75 KHz	15.625 KHz											
f_V	60 Hz	50 Hz											
f_C	3.58 MHz	4.43 MHz											
POWER SOURCE	DC 12V ~ 24V (ripple 0.5 Vp-p max.)												
POWER CONSUMPTION	3W max.												
CONTRAST RATIO	Typ. 300 at optimized viewing angle												
BRIGHTNESS	Typ. 400 nit												
VIEWING ANGLE	<table border="0"> <tr> <td>TOP</td> <td>60 deg.</td> </tr> <tr> <td>BOTTOM</td> <td>40 deg.</td> </tr> <tr> <td>LEFT/RIGHT</td> <td>70 deg.</td> </tr> </table>	TOP	60 deg.	BOTTOM	40 deg.	LEFT/RIGHT	70 deg.						
TOP	60 deg.												
BOTTOM	40 deg.												
LEFT/RIGHT	70 deg.												
OPERATING TEMPERATURE	0°C ~ 60°C												
STORAGE TEMPERATURE	-10°C ~ 70°C												
OPERATING HUMIDITY	85% RH max.												
STORAGE HUMIDITY	85% RH max.												
OVERALL DIMENSION	170.0(W) x 142.0(H) x 31.5(D)												
WEIGHT	300 ± 5 g												

DIMENSION



CAUTION

1. Don't expose to direct sunlight. (refer to specification)
2. Don't expose temperature extremes. (refer to specification)
3. Avoid dropping and strong impact.
4. Avoid wet and dust.
5. Never attempt to take apart and maintain by yourself.