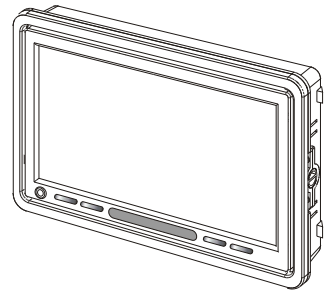
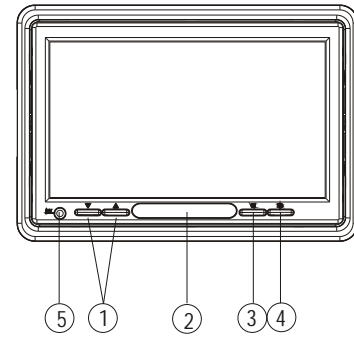


CHM-7046A

Swivel able Color TFT LCD Headrest Monitor



APPEARANCE



(1 AV Input / 1 external AV input)

1. DOWN / UP
2. TRANSMITTER OF IR HEADPHONE REMOTE CONTROL SENSOR
3. MENU
4. POWER SWITCH
5. AUX INPUT

FUNCTIONS

PICTURE ADJUSTMENT

BRIGHTNESS

Press Δ or ∇ on the monitor directly or ADJUST key Δ / ∇ on the remote controller to adjust brightness.



COLOR / CONTRAST / TINT

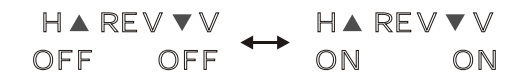
To press \square on the monitor or MENU key \square on the remote controller, the screen will appear COLOR/CONTRAST/TINT/TRANSMITTER FREQUENCY /DIMMER/REVERSE adjustment item in turn. At that time, Press Δ / ∇ on the monitor or ADJUST key Δ / ∇ on the remote controller to adjust the picture quality.



OPERATION

IR TRM. FREQUENCY/DIMMER/REVERSE/MODE

To press \square on the monitor or MENU key \square on the remote controller, the screen will appear COLOR/CONTRAST/TINT/TRANSMITTER FREQUENCY/DIMMER/REVERSE/MODE adjustment item in turn. At that time, Press Δ / ∇ on the monitor or ADJUST key Δ / ∇ on the remote controller for adjustment.



Press UP button for to switch Horizontal reverse, Press Down button for to switch Vertical reverse.

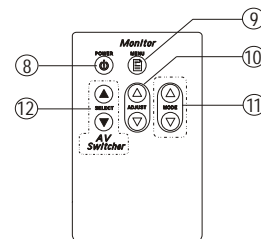
MODE FULL

Press UP/DOWN for to select FULL/NORMAL/ZOOM1 ZOOM2/WIDE display mode..

INSTRUCTION MANUAL

ATTACHMENTS

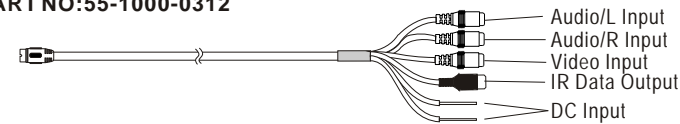
REMOTE CONTROL



8. POWER SWITCH
9. MENU
10. ADJUST UP/DOWN
11. Display Mode selection
12. (No Function)

CABLES

PART NO:55-1000-0312



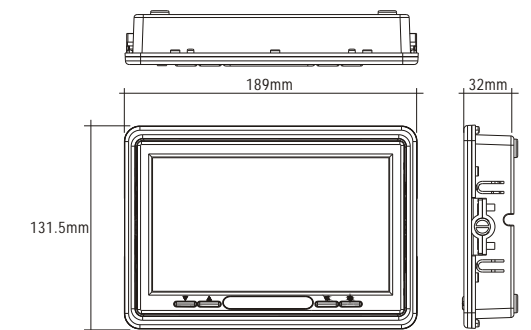
PART NO:55-1500-A301



SPECIFICATION

DISPLAY RESOLUTION	7" Color TFT LCD (16:9) 1440(H) x 234(V) Total 336,960 dots
BACK LIGHT	CCFT
LAMP LIFE	30,000 hr.
INPUT SIGNAL	NTSC & PAL (auto-switch)
POWER SOURCE	DC 12V (ripple 0.5 Vp-p max.)
RANGE OF OPERATING VOLTAGE	DC 12V ± 15%
POWER CONSUMPTION	10W max.
CONTRAST RATIO	150 TYP.
BRIGHTNESS	400 nit TYP.
VIEWING ANGLE	TOP 50 deg. BOTTOM 40 deg. LEFT/RIGHT 60 deg.
OPERATING TEMPERATURE	-20°C ~ 80°C
STORAGE TEMPERATURE	-30°C ~ 80°C
OPERATING HUMIDITY	80% RH max.
STORAGE HUMIDITY	80% RH max.
OVERALL DIMENSIONS	189.0(W) x 131.5(H) x 32.0(D)
WEIGHT	316.8 g

DIMENSION



CAUTION

1. Don't expose to direct sunlight. (refer to specification)
2. Don't expose temperature extremes. (refer to specification)
3. Avoid dropping and strong impact.
4. Avoid wet and dust.
5. Never attempt to take apart and maintain by yourself.